

## NSR-SPRING-RAIL product line "STANDARD"

for external filling via hose connection, hose pipe, control instrument and compentor reservoir.

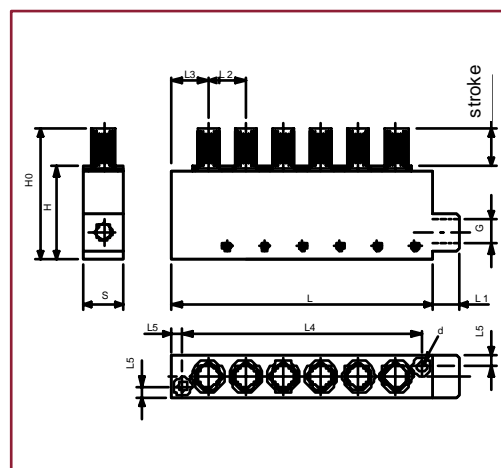
- full spring load at start position of piston stroke
- load adjustable by user
- constant load allover service life
- bunched load on minimum space
- solid construction, long service life

Fill with gas only when installed.

Compentor reservoir can be delivered on demand!

- (1) max. adm. working pressure 150 bar!
- (2) other threaded connections possible!
- (3) number of pistons!

Subject to dimensional changes! Further dimensions on demand!



S	L	stroke	H0	H	L1	L2	L3	L4	L5	d	G (2)	n (3)	F1 (N) 100bar	F2 (N) 150bar (1)	ty pe article-No.
17,5	105	10	58	48	20	20	21	93	6	5,5	1/8"	4	5307	7960	FS 1710510-4-13
		15	68	53											FS 1710515-4-13
		20	78	58											FS 1710520-4-13
		30	98	68											FS 1710530-4-13
17,5	145	10	58	48	20	20	21	133	6	5,5	1/8"	6	7960	11940	FS 1714510-6-13
		15	68	53											FS 1714515-6-13
		20	78	58											FS 1714520-6-13
		30	98	68											FS 1714530-6-13
17,5	185	10	58	48	20	20	21	173	6	5,5	1/8"	8	10613	15920	FS 1718510-8-13
		15	68	53											FS 1718515-8-13
		20	78	58											FS 1718520-8-13
		30	98	68											FS 1718530-8-13
17,5	225	10	58	48	20	20	21	213	6	5,5	1/8"	10	13266	19899	FS 1722510-10-13
		15	68	53											FS 1722515-10-13
		20	78	58											FS 1722520-10-13
		30	98	68											FS 1722530-10-13
20,0	111	10	58	48	20	22	21	99	6	5,5	1/4"	4	6603	9904	FS 2011110-4-14
		15	68	53											FS 2011115-4-14
		20	78	58											FS 2011120-4-14
		30	98	68											FS 2011130-4-14
20,0	155	10	58	48	20	22	21	143	6	5,5	1/4"	6	9904	14856	FS 2015510-6-14
		15	68	53											FS 2015515-6-14
		20	78	58											FS 2015520-6-14
		30	98	68											FS 2015530-6-14
20,0	199	10	58	48	20	22	21	187	6	5,5	1/4"	8	13204	19806	FS 2019910-8-14
		15	68	53											FS 2019915-8-14
		20	78	58											FS 2019920-8-14
		30	98	68											FS 2019930-8-14
20,0	243	10	58	48	20	22	21	231	6	5,5	1/4"	10	16504	24756	FS 2024310-10-14
		15	68	53											FS 2024315-10-14
		20	78	58											FS 2024320-10-14
		30	98	68											FS 2024330-10-14

## NSR-SPRING-RAIL product line "STANDARD"

S	L	stroke	H0	H	L1	L2	L3	L4	L5	d	G (2)	n (3)	F1 (N) 100bar	F2 (N) 150bar (1)	type article-No.
22,5	117	10	58	48	20	24	21	105	6	5,5	1/4"	4	8039	12058	FS 2211710-4-16
		20	78	58											FS 2211720-4-16
		30	98	68											FS 2211730-4-16
		40	118	78											FS 2211740-4-16
		50	138	88											FS 2211750-4-16
22,5	165	10	58	48	20	24	21	105	6	5,5	1/4"	6	12058	18086	FS 2216510-6-16
		20	78	58											FS 2216520-6-16
		30	98	68											FS 2216530-6-16
		40	118	78											FS 2216540-6-16
		50	138	88											FS 2216550-6-16
22,5	213	10	58	48	20	24	21	201	6	5,5	1/4"	8	16077	24115	FS 2221310-8-16
		20	78	58											FS 2221320-8-16
		30	98	68											FS 2221330-8-16
		40	118	78											FS 2221340-8-16
		50	138	88											FS 2221350-8-16
22,5	261	10	58	48	20	24	21	249	6	5,5	1/4"	10	20096	30144	FS 2226110-10-16
		20	78	58											FS 2226120-10-16
		30	98	68											FS 2226130-10-16
		40	118	78											FS 2226140-10-16
		50	138	88											FS 2226150-10-16
25,0	129	10	63	53	20	26	24	115	7	6,5	1/4"	4	10173	15260	FS 2512910-4-18
		20	83	63											FS 2512920-4-18
		30	103	73											FS 2512930-4-18
		40	123	83											FS 2512940-4-18
		50	143	93											FS 2512950-4-18
		60	163	103											FS 2512960-4-18
		70	183	113											FS 2512970-4-18
25,0	181	10	63	53	20	26	24	167	7	6,5	1/4"	6	15260	22890	FS 2518110-6-18
		20	83	63											FS 2518120-6-18
		30	103	73											FS 2518130-6-18
		40	123	83											FS 2518140-6-18
		50	143	93											FS 2518150-6-18
		60	163	103											FS 2518160-6-18
		70	183	113											FS 2518170-6-18
25,0	233	10	63	53	20	26	24	219	7	6,5	1/4"	8	20347	30521	FS 2523310-8-18
		20	83	63											FS 2523320-8-18
		30	103	73											FS 2523330-8-18
		40	123	83											FS 2523340-8-18
		50	143	93											FS 2523350-8-18
		60	163	103											FS 2523360-8-18
		70	183	113											FS 2523370-8-18

## NSR-SPRING-RAIL product line "STANDARD"

S	L	stroke	H0	H	L1	L2	L3	L4	L5	d	G (2)	n (3)	F1 (N) 100bar	F2 (N) 150bar (1)	type article-No.
25,0	285	10	63	53	20	26	24	271	7	6,5	1/4"	10	25434	38151	FS 2528510-10-18
		20	83	63											FS 2528520-10-18
		30	103	73											FS 2528530-10-18
		40	123	83											FS 2528540-10-18
		50	143	93											FS 2528550-10-18
		60	163	103											FS 2528560-10-18
		70	183	113											FS 2528570-10-18
30,0	135	10	63	53	20	28	24	121	7	6,5	1/4"	4	12560	18840	FS 3013510-4-20
		20	83	63											FS 3013520-4-20
		30	103	73											FS 3013530-4-20
		40	123	83											FS 3013540-4-20
		50	143	93											FS 3013550-4-20
		60	163	103											FS 3013560-4-20
		70	183	113											FS 3013570-4-20
30,0	191	10	63	53	20	28	24	177	7	6,5	1/4"	6	12560	28260	FS 3019110-6-20
		20	83	63											FS 3019120-6-20
		30	103	73											FS 3019130-6-20
		40	123	83											FS 3019140-6-20
		50	143	93											FS 3019150-6-20
		60	163	103											FS 3019160-6-20
		70	183	113											FS 3019170-6-20
30,0	247	10	63	53	20	28	24	233	7	6,5	1/4"	8	25120	37680	FS 3024710-8-20
		20	83	63											FS 3024720-8-20
		30	103	73											FS 3024730-8-20
		40	123	83											FS 3024740-8-20
		50	143	93											FS 3024750-8-20
		60	163	103											FS 3024760-8-20
		70	183	113											FS 3024770-8-20